

(-) Australia Markets close in 1 hr 13 mins

ALL ORDS

6,759.60
+28.20 (+0.42%)



ASX 200

6,673.30
+25.20 (+0.38%)



AUD/USD

0.6980
+0.0012 (+0.1745%)



OIL

59.00
-0.09 (-0.15%)



GOLD

1,393.10
+3.80 (+0.27%)



Show ad | +

NEC



CMOS chips on an 18 mm x 163.5 mm evaluation-board

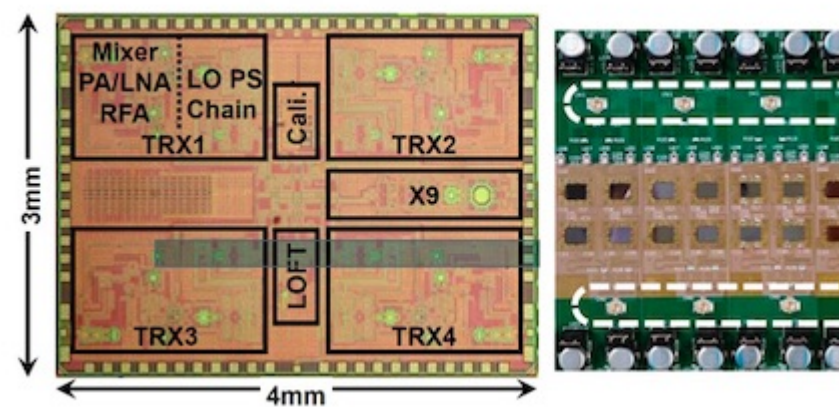


Figure 1. A micrograph of the chip and the 64-element module

TOKYO, Jun 4, 2019 - (JCN Newswire) - Researchers at Tokyo Institute of Technology and NEC Corporation, Japan, present a 39 GHz transceiver with built-in calibration for fifth-generation (5G) applications. The advantages to be gained include better quality communications as well as cost-effective scalability.

<https://media.zenfs.com/en/jcnnewswire.com/f13f2066eeb56842f3dcef4be485a038>

CMOS chips on an 18 mm x 163.5 mm evaluation-board

A team of more than 20 researchers at Tokyo Institute of Technology (Tokyo Tech) and NEC Corporation has successfully demonstrated a 39 GHz transceiver that could be used in the next wave of 5G wireless equipment, including base stations, smartphones, tablets and Internet-of-Things (IoT) applications.

Although research groups, including the current team, have until now largely focused on developing 28 GHz systems, 39 GHz will be another important frequency band for realizing 5G in many parts of the world.

The new transceiver (shown in Figure 1) is based on a 64-element (4 x 16) phased-array(1) design. Its built-in gain phase calibration means that it can improve beamforming(2) accuracy, and thereby reduce undesired radiation and boost signal strength.

<https://media.zenfs.com/en/jcnnewswire.com/04aed431135cb118bdd77fa6a5d0e65d>

Figure 1. A micrograph of the chip and the 64-element module
The transceiver, based on a 64-element phased-array design, takes up a chip area of 12 mm²

Fabricated in a standard 65-nanometer CMOS(3) process, the transceiver's low-cost silicon-based components make it ideal for mass production -- a key consideration for accelerated deployment of 5G technologies.

The researchers showed that the built-in calibration has a very low root-mean-square (RMS) phase error of 0.08 degrees. This figure is an order of magnitude lower than previous comparable results. While transceivers developed to date typically suffer from high gain variation of more than 1 dB, the new model has a maximum gain variation of just 0.04 dB over the full 360 degrees tuning range.

"We were surprised to achieve such a low gain variation when actually using the calibration based on our local-oscillator (LO) phase-shifting approach," says project leader, Kenichi Okada of Tokyo Tech.

In addition, the transceiver has a maximum equivalent isotropic radiated power (EIRP)(4) of 53 dBm. This is an impressive indication of the output power of the 64 antennas, the researchers say, particularly for low-cost CMOS implementation.

Indoor testing (under anechoic chamber conditions(5)), which involved a one-meter, over-the-air measurement, demonstrated that the transceiver supports wireless transmission of a 400 MHz signal with 64QAM.

"By increasing the array scale, we can achieve greater communication distance," Okada says. "The challenge will be to develop the transceiver for use in smartphones and base stations for 5G and beyond."

This work is being presented at the 2019 IEEE Radio Frequency Integrated Circuits Symposium (RFIC) in Boston, Massachusetts, US, as part of the morning session (Session RTu2E) to be held on 4 June 2019. The paper of this work "A 39GHz 64-Element Phased-Array CMOS Transceiver with Built-in Calibration" by Yun Wang et al., received the best student paper award.

NEC: A More Accurate, Low-Cost 39 GHz Beamforming Transceiver for 5G Communications

ACN Newswire 4 June 2019

Technical Terms

- (1) Phased-array: Referring to an electrically steerable array of antennas.
- (2) beamforming: A powerful signal processing technique used to control antenna patterns.
- (3) CMOS: Complementary metal-oxide-semiconductor, the main processing method for creating integrated circuits.
- (4) Equivalent isotropic radiated power (EIRP): A measure of the signal strength or output power of an antenna in decibels per meter (dBm).
- (5) Anechoic chamber conditions: A non-reflective environment that is designed to be free from echoes.

About NEC Corporation

NEC Corporation is a leader in the integration of IT and network technologies that benefit businesses and people around the world. The NEC Group globally provides "Solutions for Society" that promote the safety, security efficiency and fairness of society. Under the company's corporate message of "Orchestrating a brighter world," NEC aims to help solve a wide range of challenging issues and to create new social value for the changing world of tomorrow. For more information, visit NEC at <https://www.nec.com>.

Contact:

NEC Seiichiro Toda s-toda@cj.jp.nec.com +81-3-3798-6511

Copyright 2019 JCN Newswire. All rights reserved.

www.jcnnewswire.com

Quote lookup

Recently Viewed >

Your list is empty.



What to read next

Aussies could soon be travelling to Europe in 90 minutes

Yahoo Finance

ポータブルエアコンが日本で大ブレイク！

Cool Air 協賛 

New entrant to Aussie supermarket war goes on hiring spree

Yahoo Finance

Got the NBN? You might have to start paying 'Netflix tax'

Yahoo Finance

All the laws that are changing on 1 July: Here's what it means for you

Yahoo Finance

Speak 43 Languages With This New Genius Invention

Muama Enence Translators Sponsored 

Ghost towers are popping up across Sydney market for units spirals

Yahoo Finance

Pictures: Rafael Nadal's \$4.2 million yacht is for auction

Yahoo Finance

タイ行き航空券セール開催中

エアアジアでお得に旅しよう!タイ
行き航空券セールを7/7(日)まで
開催中